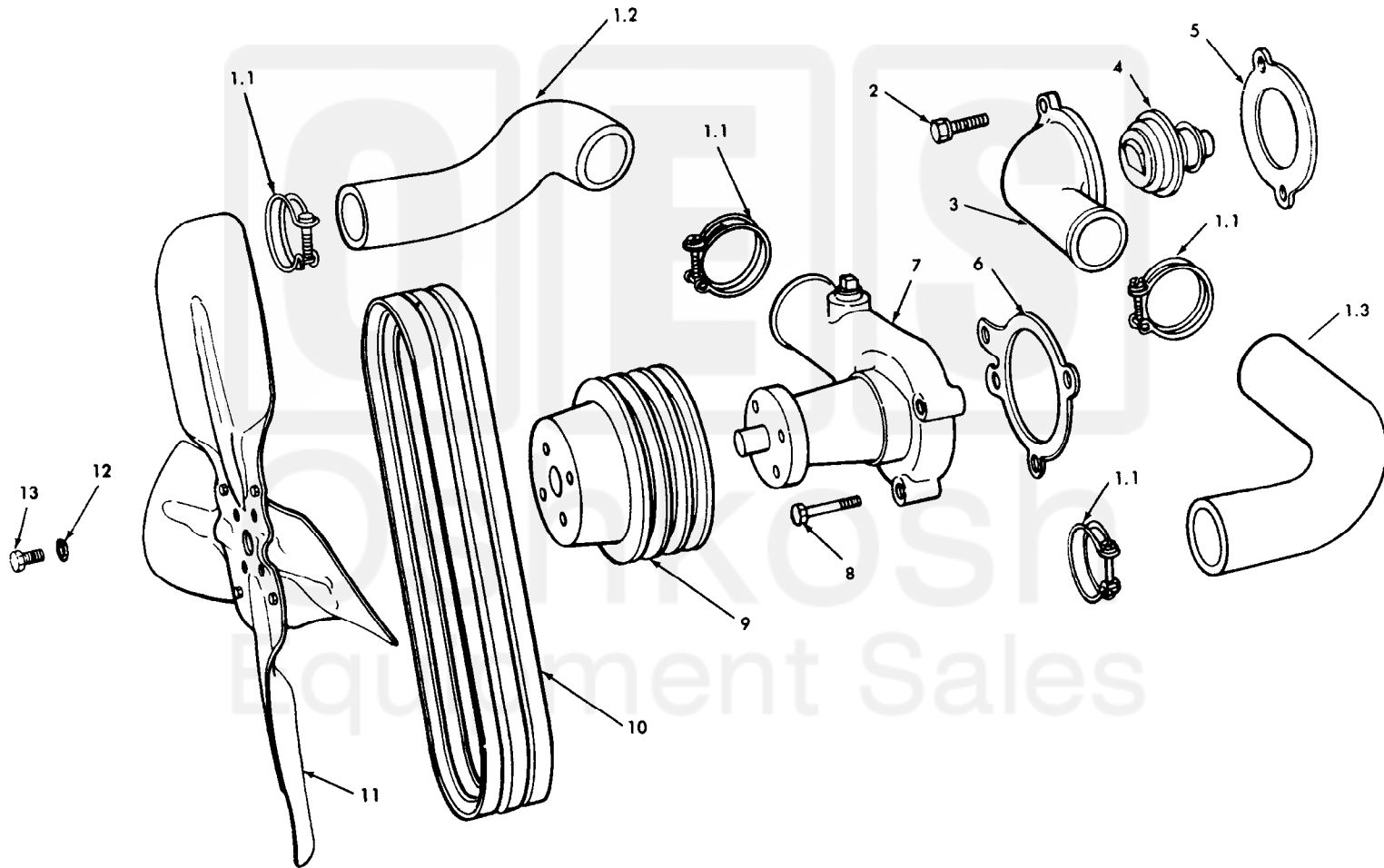


(1) SMR CODE	(2) FEDERAL STOCK NUMBER	(3) DESCRIPTION	(4) UNIT OF MEAS.	(5) QTY INC IN UNIT	(6) 15-DAY ORGANIZATIONAL MAINTENANCE ALW				(7) ILLUSTRATION	
					(a) 1-5	(b) 6-20	(c) 21-50	(d) 51-100	(a) FIGURE NO.	(b) ITEM NO.
		GROUP 0503—THERMOSTAT AND WATER MANIFOLD THERMOSTAT, WATER PUMP, HOSES, FAN AND RELATED PARTS (FIG. 5-2)								
PO	2930-886-8084	PARTS KIT, RADIATOR HOSE: 5702246 (19207) Composed of:	EA	1	*	*	*	*	5-2	
PO	4730-909-8627	4—CLAMP, HOSE: MS35842-13 (96906)	EA	4	*	*	*	*	5-2	1.1
PO	2930-678-4645	1—HOSE, PREFORMED: 8754580 (19207)	EA	1	*	*	*	*	5-2	1.2
PO	4720-678-1875	1—HOSE, PREFORMED: 8754815 (19207)	EA	1	*	*	*	*	5-2	1.3
PO	5306-042-4209	SCREW AND WASHER ASSEMBLY: to attach thermostat, 424209 (21450)	EA	2	*	*	*	*	5-2	2
PO	2930-678-3235	HOUSING, THERMOSTAT: 8754620 (19207)	EA	1	*	*	*	*	5-2	3
PO	6685-651-9523	THERMOSTAT ASSEMBLY: flow control, 180 deg, 7998568 (19207).	EA	1	*	*	*	*	5-2	4
PO	2930-678-3238	GASKET: thermostat housing, (** gasket sets 2805-678-3187 and 2805-678-3190) 8754621 (19207)	EA	1	*	*	*	*	5-2	5
		GROUP 0504—WATER PUMP								
PO	2930-678-1846	GASKET: water pump mounting, (** gasket set 2805-678-3187 8754618 (19207).	EA	1	*	*	*	*	5-2	6
POR	2930-678-1849	PUMP ASSEMBLY, WATER: (see Fig. 5-3 for components 8754598 (19207).	EA	1	*	*	*	*	5-2	7
PO	5306-225-8503	SCREW, CAP, HEXAGON HEAD, carb-s, cd-pltd, 5 / 16-18UNC-2A X 1 3/4 in. lg, water pump mounting, MS90725-39 (96906).	EA	3	*	*	*	*	5-2	8
		GROUP 0505—FAN ASSEMBLY								
PO	2930-832-5660	PULLEY, 3 GROOVE: water pump, 60 amp alternator / generator, 11599021 (19207).	EA	1	*	*	*	*	5-2	9
PO	3020-491-9622	PULLEY, 2 GROOVE: water pump, 25 amp generator, A 8754597 (19207).	EA	1	*	*	*	*	5-2	9
PO	3030-832-5671	BELT, V, MATCHED SET: generator drive, 60 amp, 11599020-1 (19207).	SE	1	*	*	*	*	5-2	10
PO	3030-833-1297	BELT, V, MATCHED SET: generator drive, 25 amp, A MS51065-33-2 (96906).	SE	1	*	*	*	*	5-2	10
PO	2930-678-0770	FAN BLADE ASSEMBLY: 8342323 (19207).	EA	1	*	*	*	*	5-2	11
PO	5310-407-9566	WASHER, LOCK: split, carb-s, cd-pltd, for 5 / 16 screw size, fan blade attaching, MS 35338-45 (96906).	EA	4	*	*	*	*	5-2	12
PO	5306-225-9089	SCREW, CAP, HEXAGON HEAD: carb-s, cd-pltd, 5 / 16-24UNF- 2A X 1 in. lg, fan blade attaching, MS90726-34 (96906).	EA	4	*	*	*	*	5-2	13

Current part is item (7) on diagram. Available at www.oshkoshequipment.com



AT 39885

Current part is item (7) on diagram. Available at www.oshkoshequipment.com